



NAHRAB GOSTAR ESHTEHARD

Manufacture of Industrial Valves & relevant equipment

Butterfly Valve

Wafer Type



www.nahrab.net - info@nahrab.net

نهراب



Butterfly Valve Wafer Type

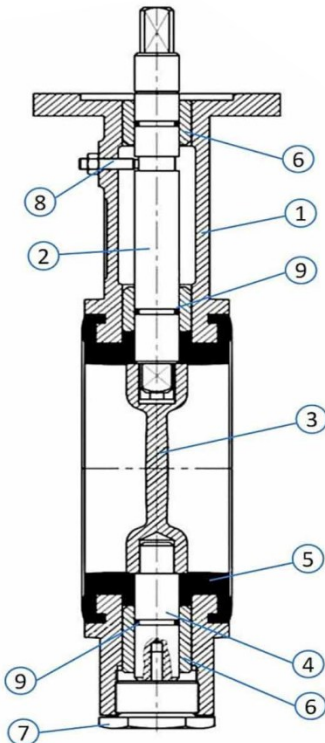
Flange Drilling as per ISO 7005-1(EN 1092 – 1, DIN 2501) Standard

Features:

- Closing system sealed absolutely airtight in both directions of flow
- Low maintenance costs, at the same time can be adapted for numerous types of media
- No contact between the medium and shaft and body, secure, positive torque transmission
- Good hydraulic valves in both directions and adaptable to different media
- Straightforward integration in any pipe
- Low-cost operation no matter the task

Coating:

All parts are coated with electrostatic epoxy powder with minimum 250 micron suitable for potable water.

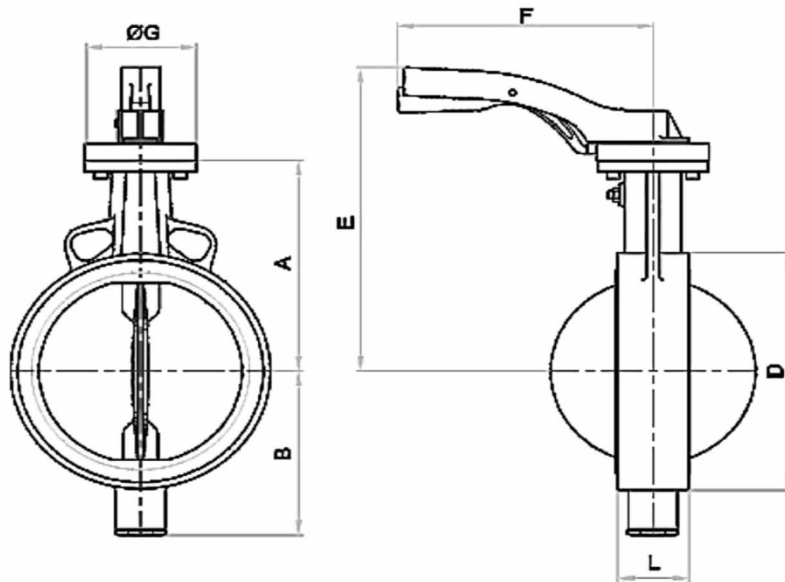


NO.	Part Name	Material
1	Body	Ductile iron (GJS-400-15)
2	upper shaft	X20Cr13
3	Disc (1)	DN 50-200 mm forged corrosion resistant steel. DN 250-600 mm GJS-400-15 With electro static powder coating.
4	Lower shaft	X20Cr13
5	Seat (2)	EPDM or NBR
6	Bush	Brass
7	Plug	Brass
8	Screw and lock nut	Stainless Steel
9	O-ring	NBR

The sealing ring is made of high-grade EPDM in accordance with KTW W270 for drinking water or of NBR for gas.



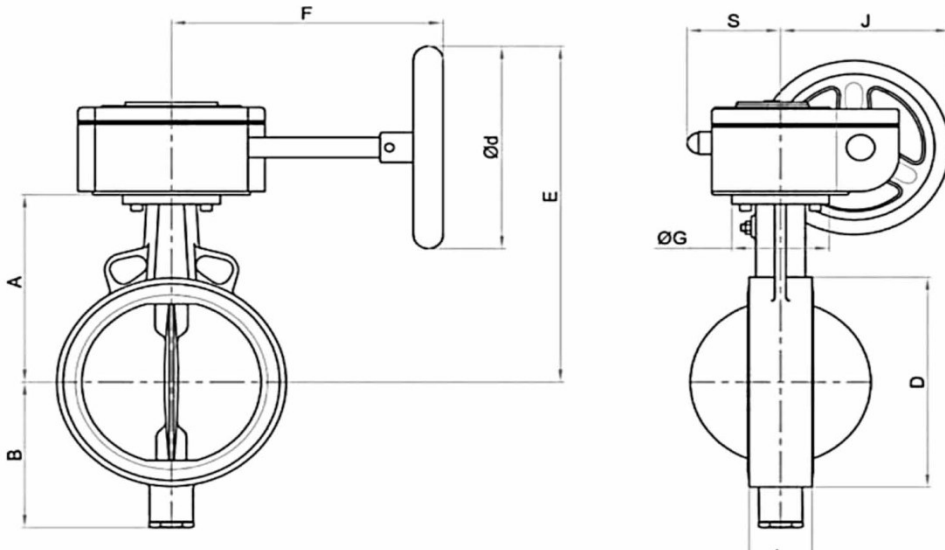
Butterfly Valve Wafer Type



unit: mm

DN	L	A	B	D	E	F	ØG	Weight (kg)
50	43	126	82	95	200	175	65	2.9
65	46	136	92	116	210	175	65	3.6
80	46	159	104	130	249	198	90	4.7
100	52	167	113	151	248	198	90	5.8
125	56	181	127	181	272	198	90	7.5
150	56	203	152	205	309	281	90	9.4
200	60	228	176	250	332	281	90	12.6

Butterfly Valve Wafer Type



Unit: mm

DN	PN	L	A	B	D	E	F	ØG	J	D	S	Weight (kg)
50	6-10-16	43	126	82	95	202	114	65	93	100	45	3.7
65	6-10-16	46	136	92	116	212	114	65	93	100	45	4.4
80	6-10-16	46	159	104	130	235	114	90	93	100	45	5.5
100	6-10-16	52	167	113	151	243	114	90	113	125	55	7.6
125	6-10-16	56	181	127	181	257	114	90	113	125	55	9.3
150	6-10-16	56	203	152	205	341	155	90	160	200	80	12.7
200	6-10-16	60	228	176	250	366	155	90	160	200	80	15.9
250	6-10-16	68	266	214	318	406	212	125	180	200	91	31
300	6-10-16	78	293	239	358	433	212	125	180	200	91	33.5
350	6-10-16	78	332	273	409	487	251	150	170	200	94	129
400	6-10-16	102	364	318	472	565	219	180	205	250	107	172
500	6-10	127	437	377	574	723	346	216	265	360	125	246
500	16	127	437	405	574	723	396	216	290	360	214	265
600	6-10-16	154	498	440	675	784	396	216	290	360	198	298



NAHRAB GOSTAR ESHTEHARD

Manufacture of Industrial Valves & Relevant Equipment

Central Office

No.408 , Borj e Sefid (Sefid Tower) ,
Pasdaran ST , Tehran - Iran
Telephone : +98 (21) 27640 -- Fax: +98 (21) 22569144

Factory

4th Takestan , West Ghazali , Aboreyhan BLVD ,
Eshtehard Industrial City
Alborz - Iran
Telephone : +98 (26) 37773930-33 Fax: +98 (26) 37773932

www.nahrab.net

Info@nahrab.net