



NAHRAB GOSTAR ESHTEHARD

Manufacture of Industrial Valves & relevant equipment

Dismantling Joint

F3



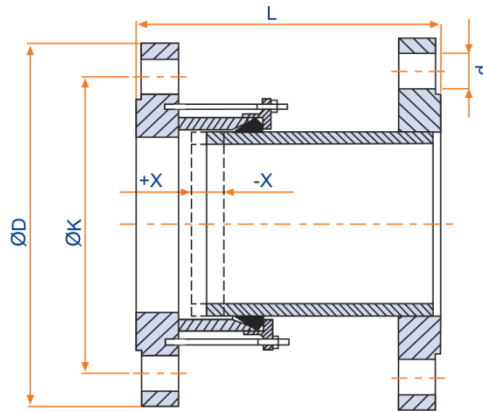
Dismantling Joint - Non Rigid (PN 10 / 16)

Coating

Electrostatic Epoxy powder, RAL 5005, 250µm

Material:

ST37-2



PN 10	DN	D (mm)	K (mm)	L (mm)	No. of holes	PN 16	DN	D (mm)	K (mm)	L (mm)	No. of holes
	50	165	125	195	4		50	165	125	195	4
65	185	145	195	4	65	185	145	195	4		
80	200	160	195	8	80	200	160	195	8		
100	220	180	200	8	100	220	180	200	8		
125	250	210	200	8	125	250	210	200	8		
150	285	240	200	8	150	285	240	200	8		
200	340	295	220	8	200	340	295	220	12		
250	395	350	220	12	250	405	355	230	12		
300	445	400	220	12	300	460	410	250	12		
350	505	460	230	16	350	520	470	260	16		
400	565	515	230	16	400	580	525	270	16		
450	615	585	250	20	450	640	585	270	20		
500	670	620	260	20	500	715	650	280	20		
600	780	725	260	20	600	840	770	300	20		
700	895	840	260	24	700	910	840	300	24		
800	1015	950	290	24	800	1025	950	320	24		
900	1115	1050	290	28	900	1125	1050	320	28		
1000	1230	1160	290	28	1000	1255	1170	340	28		
1200	1455	1380	320	32	1200	1485	1390	360	32		
1400	1675	1590	360	36	1400	1685	1590	415	36		
1600	1915	1820	390	40	1600	1930	1820	445	40		
1800	2115	2020	400	44	1800	2130	2020	450	44		
2000	2325	2230	410	48	2000	2345	2230	460	48		

Specification for size larger than 2000 mm will be provided as per request



NAHRAB GOSTAR ESHTEHARD
Manufacture of Industrial Valves & Relevant Equipment

Central Office

No.408 , Borj e Sefid (Sefid Tower) ,
Pasdaran ST , Tehran - Iran
Telephone : +98 (21) 27640 -- Fax: +98 (21) 22569144

Factory

4th Takestan , West Ghazali , Aboreyhan BLVD ,
Eshtehard Industrial City
Alborz - Iran
Telephone : +98 (26) 37773930-33 Fax: +98 (26) 37773932

www.nahrab.net

Info@nahrab.net